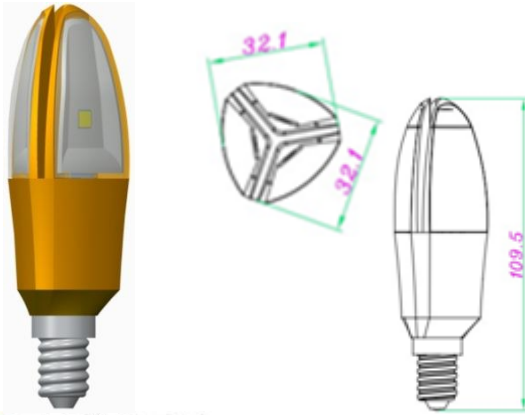


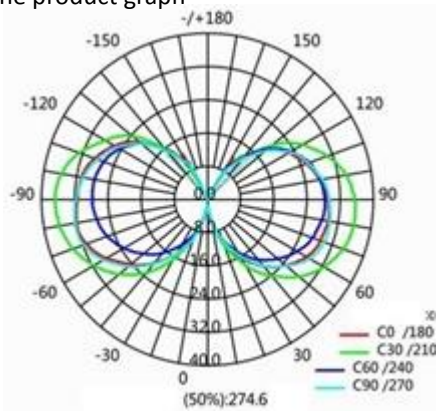
Product technical specifications

Item name: **LED Candle bulb**

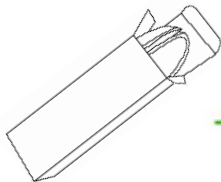
Item No: **KLN-B461Y-XX-E14**



✦ The product graph

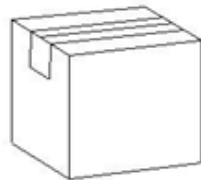


✦ Shell package size



1 pcs

With box: 4.5*4.5*12cm
Net weight: 0.11kg
Gross weight: 0.12kg



240pcs

Carton size: 46*37*37cm
Net weight: 28.8 kg
Gross Weight: 29.5 k g

✦ Feature:

- △ Semiconductor materials, long life span
- △ Unlike fluorescent bulbs which take time to heat up, once switched on LED's turn on instantly. LED's don't have problem with hot ignition
- △ 35, energy saving with minimal power consumption
- △ No filament, resistance to shock
- △ Small size and lightweight, it can be used with a variety of miniaturized device
- △ Solid light, pollution-free, environmental protection

△ Application: Homes, villas, star hotels, restaurants, clubs, brand retail stores all kinds of occasions, crystal lighting, modern lantern supporting the light source etc.

✦ Application pictures



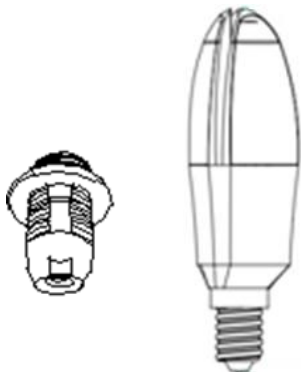
✦ Product Parameters

Parameter	Illustrate
Input Voltage	AC85-265V
Total Power	4W
Color Temperature	2700-6500K
Color Rendering Index	Ra>80
Luminous Efficiency	294lm
Working life-span	>35000H
Operating Temperature	-20℃ ~ +45℃
Base Standard	E14/E17

△ E14 Lamp holders connect the power supply, tighten and load

✦ Notes

- △ Installation allows only the professional electrician, Please check before installation lamps with or without abnormal.
- △ When install lamps, Please do not plug operation and contact lamp holder section



SHANGHAI KELINA OPTOELECTRONICS TECHNOLOGY CO., LTD

Address: Bldg, B, 3/F, Gong kang industrial Park, 335Liuchang Rd. Shanghai, china

Tel: 021-60718839 Fax: 021-56475889